



®

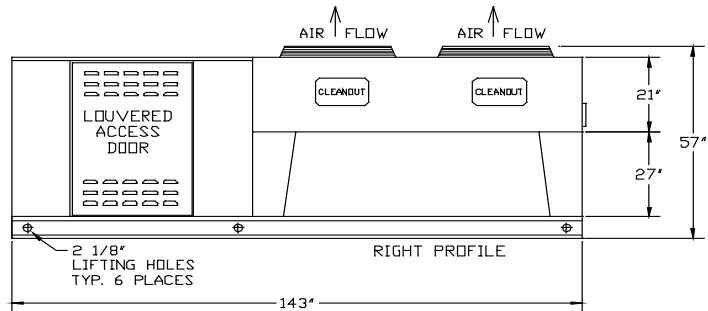
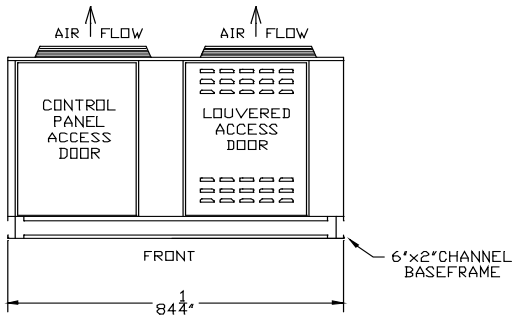
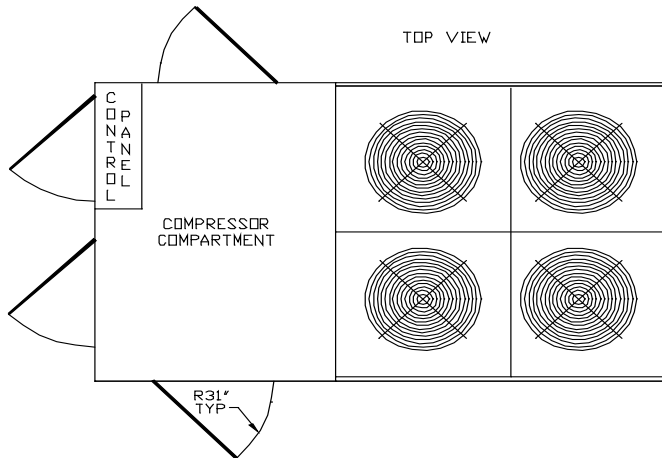
PAC400D

PACKAGED AIR-COOLED 40 HP DUAL CIRCUIT SEMI-HERMETIC

DIMENSIONAL DRAWINGS

MODEL NO	CHILLED FLUID CONNECTIONS	APPROX NET WT LBS
PAC400D	2-1/2 M-NPT	2700
PAC440D	3 M-NPT	2900

NOTES:
1 - ALL ACCESS DOORS ARE HINGED AND REMOVABLE



PRODUCT PERFORMANCE INFORMATION

REFRIGERANT	COMPRESSOR OPER. TEMP. SUCTION RANGE	LFT °F	80°F AMB		90°F AMB		95°F AMB		100°F AMB		105°F AMB	
			TONS	EER	TONS	EER	TONS	EER	TONS	EER	TONS	EER
R407C	10°F to 50°F	20	17.1	9.3	15.5	8.1	14.7	7.6	14.0	7.1	13.2	6.6
		30	22.1	10.9	20.2	9.4	19.2	8.7	18.3	8.1	17.3	7.5
		40	28.0	12.7	25.7	10.9	24.5	10.1	23.4	9.3	22.2	8.6
		50	35.1	15.0	32.3	12.7	30.8	11.6	29.4	10.7	28.0	9.9
		60	43.4	17.8	40.0	14.8	38.2	13.5	36.5	12.4	34.7	11.4
R404A	-10°F to 45°F	0	12.2	7.1	10.8	6.2	10.1	5.8	9.4	5.4	8.6	5.0
		10	16.1	8.1	14.3	7.0	13.5	6.6	12.6	6.1	11.6	5.6
		25	23.5	10.0	21.1	8.6	19.9	7.9	18.7	7.4	17.4	6.8
		40	32.7	12.3	29.5	10.4	27.9	9.6	26.3	8.9	24.7	8.1
		55	44.2	15.4	40.1	12.9	38.0	11.8	35.8	10.8	33.7	9.8

DRAKE REFRIGERATION INC
2900 SAMUEL DRIVE
BENSALEM, PA 19020
(888) 289-7299
www.drakechillers.com

*ALL INFORMATION FOR REFERENCE ONLY



PAC400D

PACKAGED AIR-COOLED 40 HP DUAL CIRCUIT SEMI-HERMETIC

STANDARD FEATURES	
FEATURE	BENEFIT
Listings	ETL 3046941, UL STD 1995, CAN/CSA STD, C22.2 No. 236
Microprocessor Control	Stand alone, simple, accurate control with over 10 years of field testing
Stainless Steel Brazed Plate Evaporator	Fully insulated and selected upon application requirements
Semi-Hermetic Compressor	Industry leader, rebuildable, long lasting compressor
Compressor Crankcase Heater	Prevents compressor damage caused by cold refrigerant on startup
Suction Accumulator	Protects the compressor from damage caused by liquid flood back by preventing liquid from entering the compressor
Water Flow Switch	Protects against process fluid freezing caused by fluid pump failure
Copper Tube/Aluminum Fin Condenser	Rust resistant and high CFM
Compressor Vibration Eliminators	Eliminates vibration transfer and reduces noise
Painted Galvanized Steel Metal Cabinet	Sturdy, corrosion resistance, professional appearance
Insulated Process Fluid Lines	Maximum thermal efficiency
Factory Tested	Ensures the unit meets the customer's performance designed criteria and arrives in working order
Full Refrigerant Charge	Hassle free and more efficient installation
NEMA 3R Rated Electrical	Indoor/outdoor use

AVAILABLE OPTIONS	
OPTIONS	AVAILABLE
Controls	BMS, BAS communications, remote access, monitoring services
Extended Warranty	4 year extended compressor warranty
Electrical	Compressor fusing, phase monitors, disconnects and more
Shell and Tube Evaporator	Fully insulated, cleanable, and selected upon application requirements
Stainless Steel Pumps	1/3 HP to 25 HP on board pumps in multiple configurations & options
Fluid Piping Upgrades	Flow meters, pressure gauges, low flow bypass valves, and more
Hot Gas Bypass	Aids in the prevention of evaporator freeze ups and capacity control
Coastal Protection/Hazardous Environments	Heresite coating, "Gold" and Copper condenser coils
Low Ambient Protection	Head pressure control for low ambient temperatures down to -20°F
Other	Cylinder unloading, service outlets, evaporator heat tape, etc.
<i>More options and customization available, contact factory for information: (888) 289 - 7299</i>	

AVAILABLE MODEL NUMBER VOLTAGE REFERENCE

T3 (208-230/3/60) --- T4 (460/3/60) --- T5 (575/3/60)

PRODUCT INFORMATION											
MODELS AVAILABLE		COMPRESSOR			FAN MOTOR		RLA EA	LRA EA	MCA	MOP	RECIRC. TANK
R407C	R404A	MODEL	QTY	HP	QTY	FLA EA					
PAC400D3-T3-S		4DA3R18M	2	20 EA	4	2.3	66.6	308	175	225	N/A
PAC400D3-T4-S						1.2	33.3	154	80	110	
PAC400D3-T5-S						0.9	24.7	135	35	50	
PAC400D6-T3-S		4DA3R18M	2	20 EA	4	2.3	71.7	308	175	225	N/A
PAC400D6-T4-S						1.2	32.1	154	80	100	
PAC400D6-T5-S						0.9	26.3	135	70	80	

DRAKE REFRIGERATION INC
 2900 SAMUEL DRIVE
 BENSLEM, PA 19020
 (888) 289-7299
www.drakechillers.com

*ALL INFORMATION **FOR REFERENCE ONLY**