

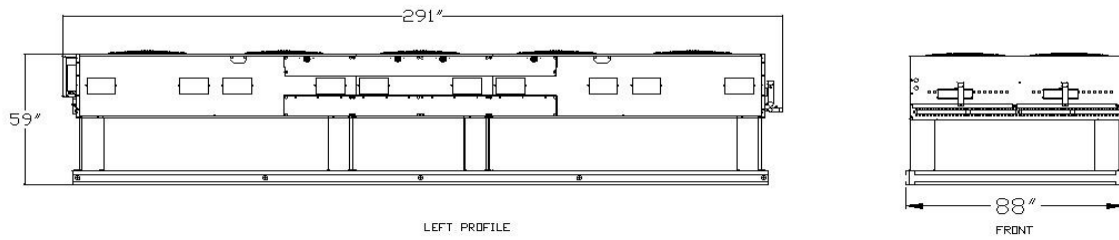


# ES1600D-T

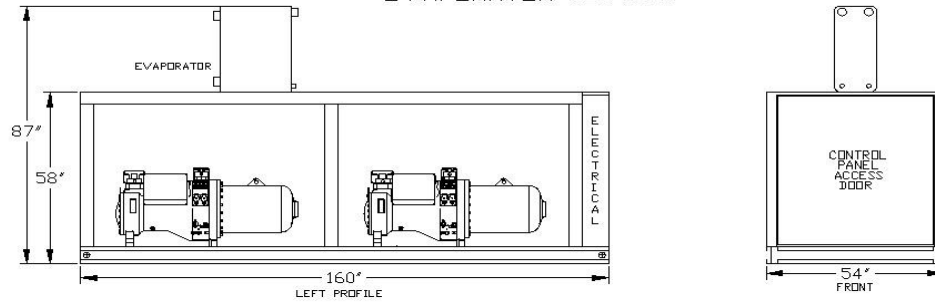
## SPLIT-SYSTEM AIR-COOLED 160 HP DUAL CIRCUIT SCREW

### DIMENSIONAL DRAWINGS

#### CONDENSER SECTION



#### EVAPORATOR SECTION



### PRODUCT PERFORMANCE INFORMATION

REFRIGERANT	COMPRESSOR OPER. TEMP. SUCTION RANGE	°F	70 AMB		85 AMB		95 AMB		100 AMB		105 AMB	
			LFT	TONS	EER	TONS	EER	TONS	EER	TONS	EER	TONS
R407C	10°F to 55°F	20	93.6	11.6	86.7	8.9	80.2	7.3	76.3	6.5	71.8	5.7
		35	125.7	15.1	119.8	11.7	113.8	9.8	110.1	8.9	105.9	8.0
		45	149.7	18.4	144.3	13.8	138.7	11.5	135.1	10.5	131.0	9.6
		55	175.9	23.7	171.1	16.6	165.8	13.6	162.4	12.4	158.4	11.3
		65	204.8	34.3	200.5	20.9	195.4	16.5	192.2	14.9	188.3	13.5
R404A	-10°F to 45°F	0	78.3	7.7	70.5	5.9	64.4	4.9	61.0	4.4	57.4	3.9
		10	96.5	9.1	87.9	7.0	81.1	5.8	77.4	5.2	73.4	4.7
		25	128.2	11.6	118.3	9.0	110.5	7.4	106.1	6.7	101.5	6.1
		40	165.6	14.9	154.2	11.5	145.2	9.5	140.3	8.7	135.0	7.8
		55	208.9	19.5	196.0	15.0	185.8	12.4	180.2	11.3	174.2	10.2

**DRAKE REFRIGERATION INC**  
 2900 SAMUEL DRIVE  
 BENSALEM, PA 19020  
 (888) 289-7299  
[www.drakechillers.com](http://www.drakechillers.com)

\*ALL INFORMATION **FOR REFERENCE ONLY**



# ES1600D-T

## SPLIT-SYSTEM AIR-COOLED 160 HP DUAL CIRCUIT SCREW

STANDARD FEATURES	
FEATURE	BENEFIT
Listings	ETL 3046941, UL STD 1995, CAN/CSA STD, C22.2 No. 236
Micro Control Systems Controller	Open source, microprocessor built to operate in the HVAC/R industry
Controls	BMS, BAS communications, remote access, monitoring services
Stainless Steel Brazed Plate Evaporator	Corrosion resistant, fully insulated and selected upon requirements
Hanbell Screw Compressor	Robust, long lasting, rebuildable compressor with 3 year standard warranty
Variable Capacity Control	Allows for soft-start and stepped capacity control from 25-100%
Compressor Crankcase Heater	Prevents compressor damage caused by cold refrigerant on startup
Suction Accumulator	Protects the compressor from damage caused by liquid flood back by preventing liquid from entering the compressor
Water Flow Switch	Protects against process fluid freezing caused by pump failure
Hot Gas Bypass	Aids in the prevention of evaporator freeze ups and capacity control
Copper Tube/Aluminum Fin Condenser	Rust resistant and high CFM
Compressor Vibration Eliminators	Eliminates vibration transfer and reduces noise
Painted Galvanized Steel Metal Cabinet	Sturdy, corrosion resistance, professional appearance
Insulated Process Fluid Lines	Maximum thermal efficiency
Factory Tested	Ensures the unit meets the customer's performance designed criteria and arrives in working order
Electronic Expansion Valves	Added consistency, efficiency, and control
Full Refrigerant Charge	Hassle free and more efficient installation
NEMA 3R Rated Electrical	Indoor/outdoor use
Phase Monitors	Electrical protection for compressors

AVAILABLE OPTIONS	
OPTIONS	AVAILABLE
Extended Warranty	4 year extended compressor warranty
Electrical	Compressor fusing, disconnects, circuit breakers and more
Stainless Steel Pumps	1/3 HP to 25 HP on board pumps in multiple configurations & options
Fluid Piping Upgrades	Flow meters, pressure gauges, low flow bypass valves, and more
Coastal Protection/Hazardous Environments	Heresite coating, "Gold" and Copper condenser coils
Low Ambient Protection	EC fan for temperature down to +10°F, Head pressure control for temperatures down to 20°F, Heated receivers for temperature down to -40°F
Other	Casters, service outlets, city water add-ons, heaters, etc.

*More options and customization available, contact factory for information: (888) 289 - 7299*

AVAILABLE MODEL NUMBER VOLTAGE REFERENCE	
T3 (208-230/3/60)	--- T4 (460/3/60) --- T5 (575/3/60)

PRODUCT INFORMATION										
MODELS AVAILABLE		COMPRESSOR		POWER			MCC EACH	LRA EACH	FAN MOTOR	
R407C	R404A	MODEL	QTY	VOLTAGE	PHASE	FREQ			FLA EA	QTY
ES1600D3-T3-T		RC2-230B	2	208-230V	3	60 Hz	318	1380	6.6	10
ES1600D3-T4-T				460V	3	60 Hz	152	720	3.1	
ES1600D3-T5-T				575V	3	60 Hz	122	545	2.5	
ES1600D3-T3-T		RC2-230B	2	208-230V	3	60 Hz	318	1380	6.6	10
ES1600D3-T4-T				460V	3	60 Hz	152	720	3.1	
ES1600D3-T5-T				575V	3	60 Hz	122	545	2.5	

DRAKE REFRIGERATION INC  
 2900 SAMUEL DRIVE  
 BENSLEM, PA 19020  
 (888) 289-7299  
[www.drakechillers.com](http://www.drakechillers.com)

\*ALL INFORMATION FOR REFERENCE ONLY